



# SN-IPV57/41ZDR/B

4MP IR Mini Dome Network Camera



## Key Features

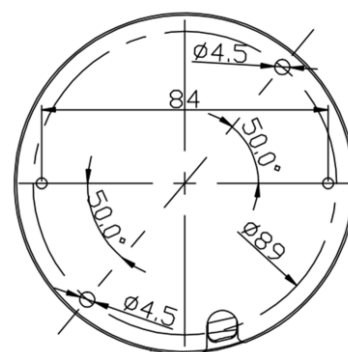
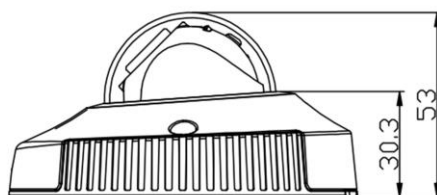
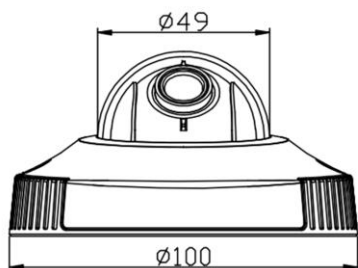
- 1/3" progressive scan CMOS
- 2.8 mm (3.6 mm optional)
- 25/30fps @ 4MP(2592x1520)
- Triple streams
- WDR, 3D DNR, ROI, HLC, BLC, Aisle mode, Defog, EIS
- Smart IR up to 10 m
- IP67

# Specification

Camera	
Image Sensor	1/3" Progressive Scan CMOS
Effective Pixels	2592(H)x1520(V)
Electronic Shutter	Auto/Manual, 1/5 ~ 1/20,000s
Min. illumination	Color: 0.05 Lux @ (F1.2,AGC ON) B/W: 0 Lux @ (IR LED ON)
S/N Ratio	55dB
Day/Night	Auto(ICR)
Wide Dynamic Range	WDR 120dB
IR Range	Up to 10 m (32.8 ft)
IR On/Off Control	Auto/ Manual
Pan/Tilt/Rotation Range	Pan: ±15°, Tilt: 9° ~ 54°
Lens	
Lens Type	Fixed
Iris	Fixed Iris
Focal Length	2.8 mm (3.6 mm optional)
F Number	F2.0
Angle of View	100°
Focus Control	Fixed
Video	
Max. Resolution	4MP (2592x1520)
Streaming Capability	3 Streams
Stream/Frame Rate	Stream1: 2592x1520, 2560x1440, 2304x1296, 1920x1080, 1280x720 @ 25/30fps Stream2: D1, VGA, 640x360,CIF, QVGA @ 25/30fps Stream3: VGA, CIF, QVGA @ 25/30fps
Bit Rate Control	CBR/VBR
Bit Rate	Stream1: 200kbps ~ 12Mbps Stream2: 100Kbps ~ 6Mbps Stream3: 100Kbps ~ 3Mbps
Image Enhancement	HLC/BLC/Anti-shake/Defog /WDR
White Balance	Auto
Gain Control	Auto/Manual
Mirror	Support
Noise Reduction	2D/3D DNR
Aisle Mode	Support
Region of Interest	Off/On (8 Zone, Rectangle)
Motion Detection	Support
Privacy Masking	Support

Audio	
Compression	G.711, RAW_PCM
Bit Rate	8kbps, 16kps, 64kbps
Network	
Protocols	IPv4/IPv6, 802.1x, HTTP, HTTPS, TCP/IP, UDP/IP, RTSP, DHCP, NTP, RTCP/RTP, PPPoE, SMTP, DNS, UPnP, FTP, ARP, SNMP
Interoperability	ONVIF, SDK, CGI
Streaming Method	Unicast
Max. User Access	10 Users
Web Viewer	<IE11, Chrome, Firefox
Management Software	SunView
Intelligence	
IVS	Perimeter, Single Virtual Fence, Double Virtual Fences, Loiter, Multi Loiter, Object Left, Object Removed, Abnormal Speed, Converse, Illegal Parking, Signal Bad
Interface	
Ethernet	1 Ethernet (10/100 Base-T) RJ-45 Connector
Audio	1ch Input, 1ch Output
Alarm	N/A
CVBS Output	Built-in
Reset Button	Support
Storage	Built-in Micro SD slot, up to 128G
Electrical	
Power Supply	DC12V/POE (IEEE 802.3af)
Power Consumption	Max 5 W
Operating Temperature	Starting Temperature: -30°C ~ 60°C (-22°F ~ 140°F) Working Temperature: -40°C ~ 60°C (-40°F ~ 140°F)
Operating Humidity	Less than 90% RH
Ingress Protection	IP67
Certifications	CE/FCC
Casing	Metal
Dimensions	φ 100 × 53 mm (φ3.94" × 2.09")
Net Weight	0.4 kg (0.88 lb)

## Dimensions (mm)



## Accessories

Optional:



SN-CBK646A  
Junction Box



SN-CBK634  
Junction Box



SN-BK345  
Wall mount